

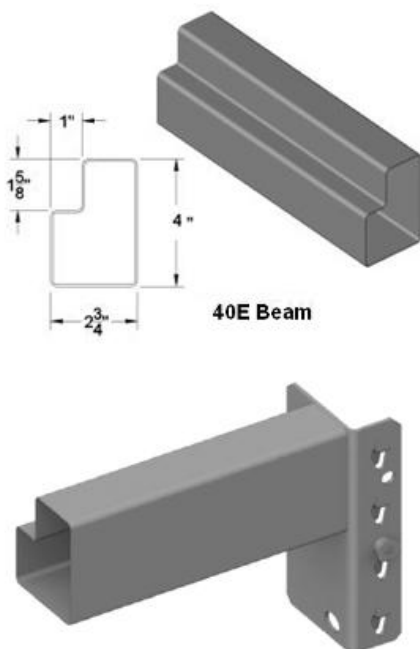


Everything You Need to Know About Interlake's Beam Changes

Interlake-Mecalux began rolling out changes to their beams in the last half of 2014. While the most significant change is how the beam connects to the upright frame, it had an impact on beam capacities, compatibility with how the frames are punched and the height of the endplates.

This document is designed to give you the information you need to work with these changes.

As you can see in the photo to the right, the beam connections are now being manufactured using a punch-press formed connection instead of the "teardrop" rivet or old style round rivet/stud. Note that the beam locks have not changed.



End Plate Heights by Beam Model

Models	End Plate Height	Number of Connections	Beam Heights
27ET/36ET	6"	3	2.75"/3.66"
40ET/45ET	8"	4	4"/4.5"
50ET/59ET/65ET/ 65QT	10"	5	5"/5.9"/6.5"

Part Number Changes

For all beams the 6th character in the part number changes to "T" (used to be "H") and the 12th character changes depending on the end plate height: C for 6", R for 8" and S for 10".

Example : IB40ET09600RRA2000



New Interlake Beam Capacities

Capacity Per Pair in Pounds								
	27ET	36ET	40ET	45ET	50ET	59ET	65ET	65QT
48"	5,723	8,396	9,800	11,607	13,799	16,235	20,760	27,765
54"	5,151	7,519	8,787	10,383	12,358	14,506	18,511	24,730
60"	4,694	6,811	7,969	9,405	11,194	13,110	16,729	22,326
66"	4,317	6,232	7,308	8,605	10,243	11,982	15,272	20,359
72"	3,950	5,750	6,751	7,931	9,461	11,030	14,043	18,721
78"	3,411	5,342	6,281	7,368	8,791	10,235	13,17	17,335
84"	2,982	4,994	5,878	6,887	8,217	9,545	12,126	16,130
90"	2,633	4,692	5,542	6,463	7,721	8,947	11,353	15,102
96"	2,344	4,162	5,220	6,093	7,279	8,424	10,689	14,202
102"	2,101	3,717	4,790	5,773	6,897	7,963	10,092	13,395
108"	1,898	3,338	4,308	5,483	6,551	7,553	9,562	12,691
114"	1,724	3,021	3,899	5,014	6,249	7,187	9,098	12,048
120"	1,575	2,745	3,554	4,557	5,814	6,678	8,444	11,223
126"	1,444	2,508	3,247	4,157	5,386	6,178	7,802	10,415
132"	1,330	2,302	2,984	3,815	5,005	5,732	7,232	9,681
138"	1,230	2,121	2,754	3,515	4,657	5,336	6,723	9,033
144"	1,142	2,000	2,549	3,248	4,308	5,000	6,277	8,442
150"	1,065	1,819	2,370	3,015	4,000	4,654	5,863	7,908
156"	994	1,694	2,208	2,804	3,725	4,367	5,495	7,422
162"	931	1,581	2,063	2,616	3,476	4,100	5,159	6,976
168"	875	1,481	1,934	2,451	3,257	3,961	4,851	6,574

Green Indicates Interlake Beams Stocked by DAK Equipment
Remember that we stock additional sizes and capacities from Ridg-U-Rak

Learn More at www.PalletRackWholesale.com

Get your questions answered or place an order by emailing DealerSales@dakequipment.com
or calling 630-516-1115, Extension 238

